

QPD4-24000-40000-20-K

4-Way, 24~40GHz

Features:
 * Small Size
 * Low Insertion Loss

Applications:
 * Amplifiers
 * Mixers
 * Antennas
 * Laboratory Test

Electrical

| | |
|--------------------|---------------------------------|
| Frequency: | 24~40GHz |
| Insertion Loss: | 1.6dB max. |
| Input VSWR: | 1.8 max. |
| Output VSWR: | 1.6 max. |
| Isolation: | 16dB min. |
| Amplitude Balance: | ±0.4dB |
| Phase Balance: | ±8° |
| Impedance: | 50Ω |
| Average Power: | 20W max. 1W max. as combiner |

Mechanical

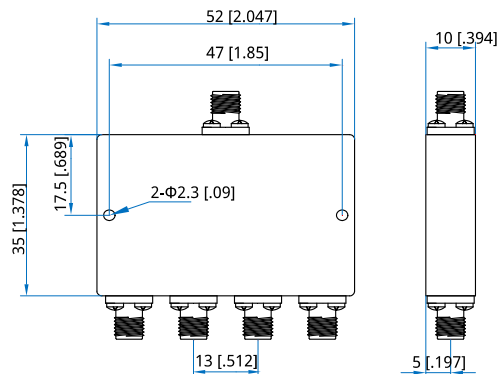
| | |
|----------------------|-----------------------------------|
| Size ^{*1} : | 35*52*10mm 1.378*2.047*0.394in |
| Connectors: | 2.92mm Female |
| Mounting: | 2-Φ2.3mm through-hole |

[1] Exclude connectors.

Environmental

| | |
|------------------------|-----------|
| Operation Temperature: | -45~+85°C |
|------------------------|-----------|

Outline Drawings



Unit: mm [in]
 Tolerance: ±0.5mm [±0.02in]

How To Order

QPD4-24000-40000-20-K

Customization is available upon request.